

SPILLO MINI



Pathway bollard series. Fixtures consist of:

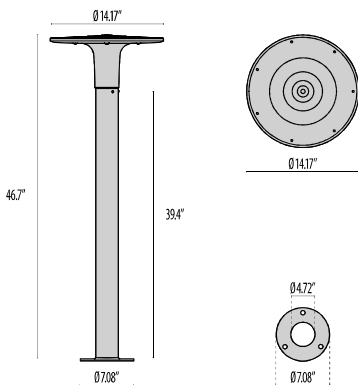
- Multi-step powder-coat painting process, optimized against UV rays and corrosion.
- Copper-free precision die-cast aluminum housing and top cap.
- Copper-free aluminum extruded post.
- Custom molded, anti-aging gasket(s).
- Stainless steel external hardware.
- Custom MCPCB utilized to maximize heat dissipation and promote a long LED life.
- High-transmittance transparent optics.
- The "Secure Light Distribution" system can bypass individual diodes in the event of a single LED failure to ensure continuous uniform light distribution.
- IESNA Type V light distribution.

- Input voltage: 120-277 V (50 / 60 Hz), integral 0-10 V dimming driver.
- Pre-wired factory sealed cable for external electrical connection included.
- Consult factory for dimming options, custom finishes (please specify RAL color), and non-cataloged CCT (Kelvin) options.
- Consult factory for custom pre-wired factory sealed cable length options.
- Consult factory for custom post height options.
- Anchor bolts available for bollards (ordered separately).
- Product meets Buy American Act requirements within ARRA.
- 5-year warranty.
- Marine Grade finish.
- Suitable for Natatorium applications.



FINISHES

- AN-96 / Iron gray / Textured
- BK-81 / Black / Textured
- GR-94 / Aluminum metallic / Textured
- WH-87 / White / Textured
- RB-10 / Iron rust / Textured



SPILLO
MINI

Scan here
for installation
instructions



Lumen Output	27K	3K	4K
Spillo Mini	1326	1378	1482

22W Max Wattage

Revision 06
05/24

Order Guide - Spillo Mini



Order code example

SPMINI-47-22-AM-3K-120-NA

SPMINI-

Bollard Height	Wattage	Finish	Kelvin	Voltage	Controls	Accessories
47 47 inch (standard)	11 11 watt	AM Aluminum Metallic	27K 2700k	UNV 120-277V	NA Non Dimming	GFCI 20 amp outlet
36 36 inch (min)	22 22 watt (max)	IG Iron Gray	3K 3000k		0-10V 0-10V Dimming	See image below
80 80 inch (max)	XX Specify wattage must be below max	IR Iron Rust	35K 3500K		ELV ELV Dimming	
XX Specify height must be within range		BK Textured Black	4K 4000k			
		WH Textured White	RGBW *			
		CC Custom Color	See below for details			

70 CRI STANDARD - OTHER OPTIONS AVAILABLE

-GFCI



Performance in Lighting reserves the right to make all necessary changes without prior notice.

Performance in Lighting - 2621 Keys Pointe - Conyers, Georgia 30013 - USA - voice 770.822.2115 - info.usa@pil.lighting
www.performanceinlighting.com

Revision 06
05/24

REMOTE RGBW ACCESSORIES

Power Supply



17433
Kit driver 48V



17096
Kit driver 48V WP

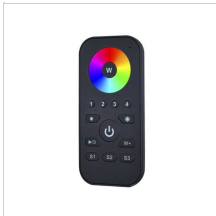
RF Controls



3104173
RGBW RF controller 4 channel
(0.35A each CH)



31041730
RGBW RF controller WP 4 channel
(0.35A each CH)



310429
RGBW hand held remote

WIFI Controls



3104163
RGBW WIFI controller 4 channel
(0.35A each CH)



31041630
RGBW WIFI controller WP 4 channel
(0.35A each CH)

DMX Controls



178973
RGBW DMX enabler/decoder 4
channel (0.35A each CH)



1789730
RGBW DMX enabler/decoder WP 4
channel (0.35A each CH)